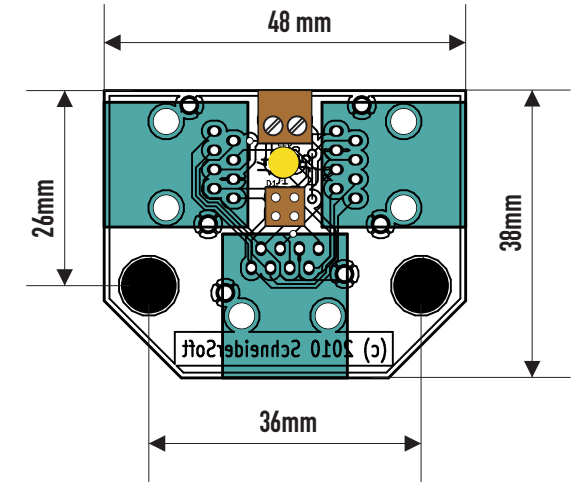
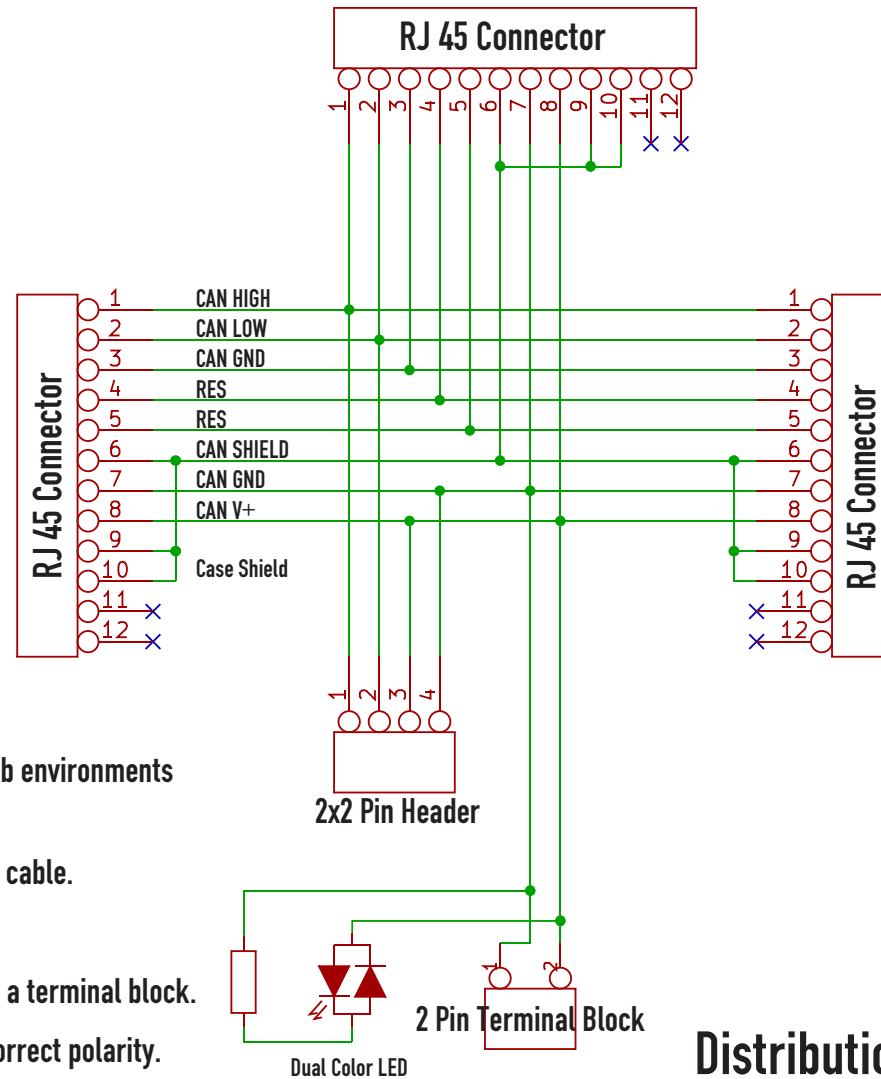
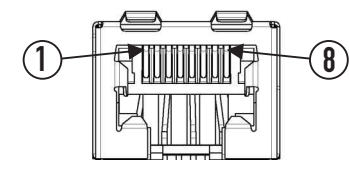


CAN-BUS-T



RJ 45 Socket, Front View
(Latch on Bottom)



- ▶ Build a CAN Bus network for lab environments quickly and reliable.
- ▶ Utilize cost effective LAN patch cable.
- ▶ Fully shielded.
- ▶ Inject power to the CAN Bus via a terminal block.
- ▶ LED indication for power and correct polarity.
- ▶ PIN header to attach test probes for bus signals and power.
- ▶ Mounting holes.

Distribution Block for CAN Bus based Networks

© 2010 SchneiderSoft LLC
www.schneidersoft.net
info@schneidersoft.net
 V 1.0, 15.11.2010